



型号 (Model)

### D1-1402 (MS705-30)



### D1-1403 (MS705-36)



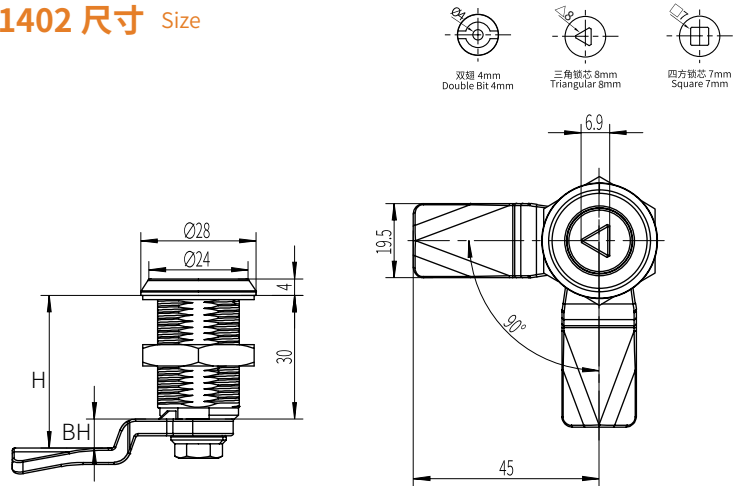
防水盖参考 P204  
锁片参考 P200~203

Waterproof cover P204.  
Lock plate refer to P200~203.

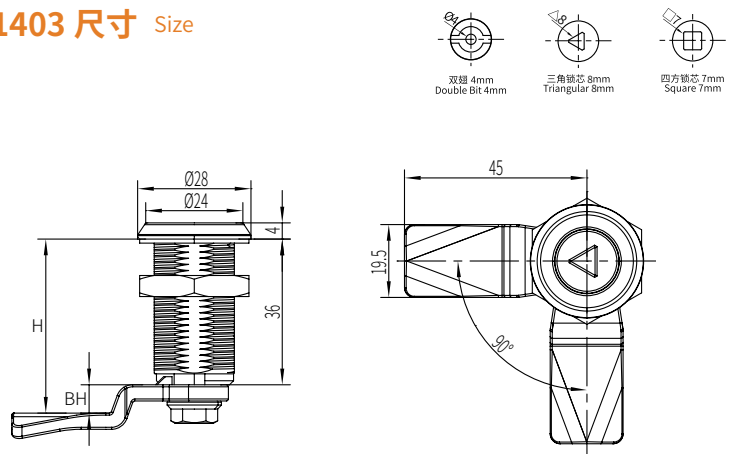
1. 材质与表面处理  
不锈钢 316 或 304
2. 性能参数:  
防护等级: IP65
3. 安装说明:  
固定螺丝扭矩 8N.M  
固定螺母扭矩 17N.M  
D1-1402 适用门板厚度: 1-20mm  
D1-1403 适用门板厚度: 1-26mm

1. Material and surface treatment  
Stainless steel 316 or 304
2. Performance parameters:  
Protection level: IP65
3. Installation instructions:  
Fixing screw torque 8N.M  
Fixing nut torque 17N.M  
D1-1402 Applicable door thickness: 1-20mm  
D1-1403 Applicable door thickness: 1-26mm

### D1-1402 尺寸 Size



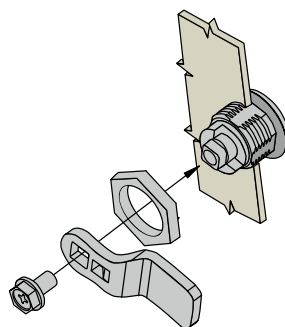
### D1-1403 尺寸 Size



### 选型 Selection

锁头类型 Lock type	锁芯代号 Lock code	锁体 Lock body GH=30mm	锁体 Lock body GH=36mm
翼型 Double bit 4mm	014	D1-1402-014	D1-1403-014
三角 Triangle 8mm	038	D1-1402-038	D1-1403-038
四方 Square 7mm	047	D1-1402-047	D1-1403-047

### 安装 Installation



### 开孔 Cut out

